

AQUARIUS PIR

AURATON PIR

Wireless Motion Sensor controlling circulation pump in the domestic hot water system (transmitter)

The maintenance-free wireless motion sensor detects the activity of users in the room and transmits this information to the receiver. AURATON Aquarius PIR paired with AURATON Aquarius CR, enables smart circulation in any number of rooms.



Up to 20 motion sensors can be paired with one AURATON Aquarius CR receiver



Maintenance-free pump control by means of a motion sensor



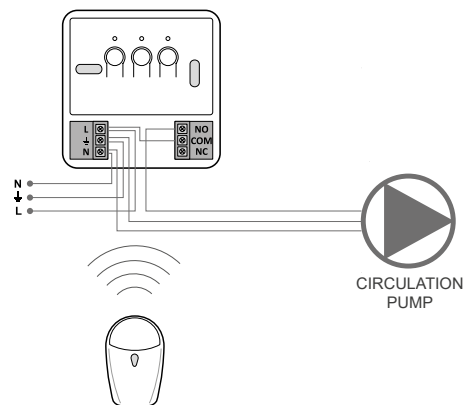
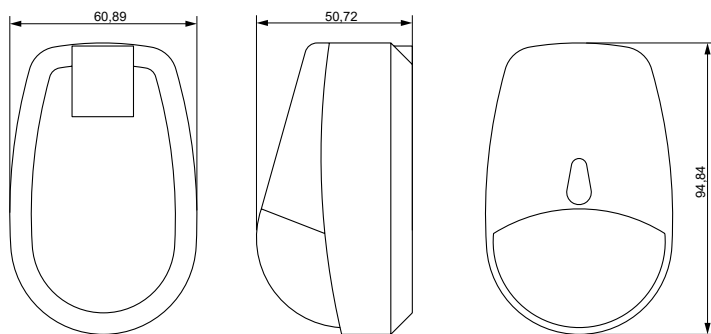
Battery powered



Designed to work with AURATON Aquarius CR and AURATON Aquarius SET

TECHNICAL DATA

Power supply	CR123A 3V lithium battery (included) replaceable battery
Operating temperature range	0 ÷ 40°C
Working cycle	daily
Radio frequency	868,850 MHz 869,000 MHz
Radio signal strength	up to 11 dBm
Operating range	In a typical building with a standard wall construction – approx. 30 m; in an open space – up to 300 m
Working status signalling	LED
Ingress protection	IP20
Humidity	≤85% non-condensing



FOR SMARTER LIVING



Manufacturer:
LARS, Swierkowa 14 Str., 64-320 Niepruszewo, Poland
tel. +48 61 840 40 40, e-mail: trade@auraton.pl
www.auraton.pl/en www.auratonsmart.com

