

HYDRUS

AURATON S08

Dual-function pump controller

AURATON Hydrus is a dual-function pump controller which switches the circulation pump on and off depending on the temperature in the central heating system (CH) or in the domestic hot water system (DHW). Works with solid fuel boilers and gas boilers. AURATON Hydrus can work in automatic or manual mode. The user can set the temperature between 20°C and 90°C both for the central heating pump and for the domestic hot water pump. Temperature measurement is possible between 2°C and 99°C. Depending on the set temperature, the controller switches the pump on or off. The controller has an AntiStop function, which prevents the impeller of an unused pump from seizing up, as the built-in processor automatically starts the pump for 30 seconds every 14 days. The LED display indicates the current temperature, and you can set an optimum temperature on the display – usually 40°C.



LED display with current temperature readings



Hysteresis between 2°- 8°C



Operates in the central heating or domestic hot water system



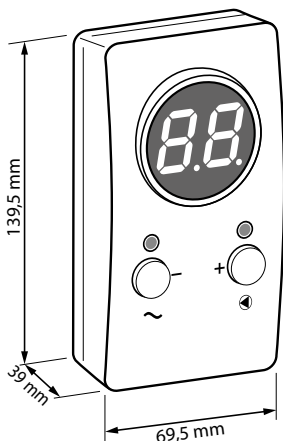
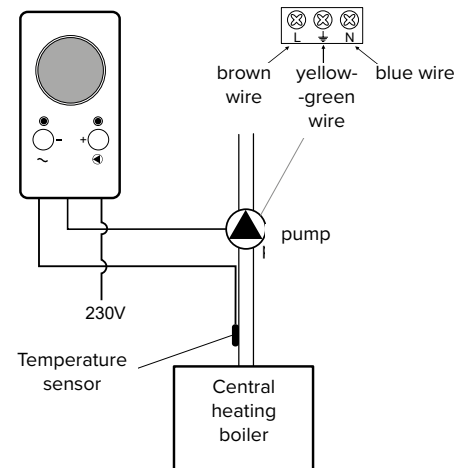
AntiStop function – prevents the pump from stagnating



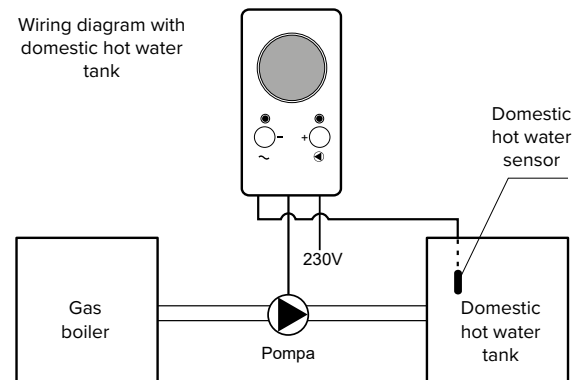
Automatic and manual working mode

TECHNICAL DATA

Power supply	230V AC, 50Hz, 1.5W
Operating temperature range	0 – 40°C
Working status signalling	LED display, sound signal
Temperature control range	20 – 90°C
Temperature measuring range	2 – 99°C
Hysteresis	2 – 8°C
Output load	max. 250V AC, max. 1A
Ingress protection	IP20
Humidity	≤85% non-condensing



Wiring diagram with domestic hot water tank



FOR SMARTER LIVING



Manufacturer:
LARS, Swierkowa 14 Str., 64-320 Niepruszewo, Poland
tel. +48 61 840 40 40, e-mail: trade@auraton.pl
www.auraton.pl/en www.auratonsmart.com

