


# LIBRA R


AURATON 3021 R


## Weekly Wireless Thermostat (transmitter)


The AURATON Libra R operates in heating or cooling mode. The thermostat enables the user to manage 7 independently configurable programmes. The thermostat has a factory set anti-freeze temperature. It has an on/off cycle memory algorithm. The AURATON Libra R can be paired with the AURATON Fornax (receiver) or the AURATON Aries (wireless underfloor heating control strip). The thermostat has a PWM working mode, which cyclically switches on and off the heating device and minimises temperature fluctuations. The PWM algorithm maintains thermal comfort in the room by anticipating the actions of the heating system and ensures lower energy consumption.




 3 independent temperatures (day, night, anti-freeze)

 Designed to work with AURATON Fornax

 10 temperature programmes (7 user-modifiable)

 LCD display adapted to work in dimly lit rooms

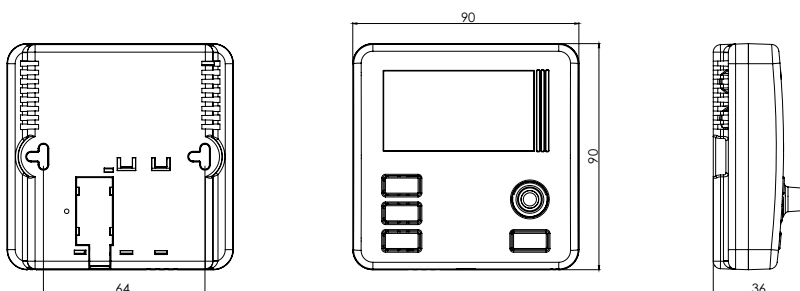
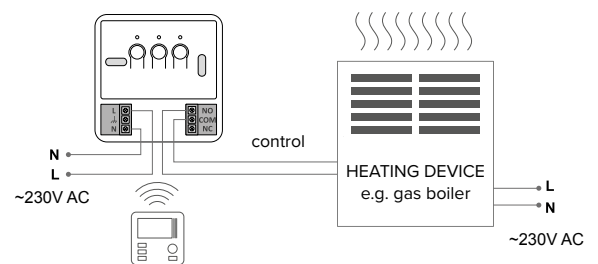
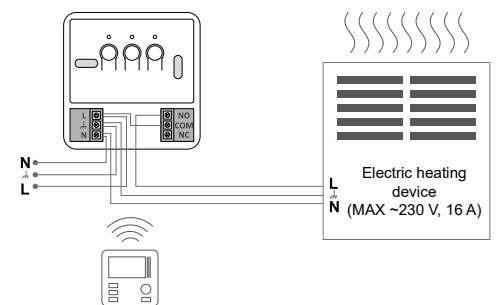
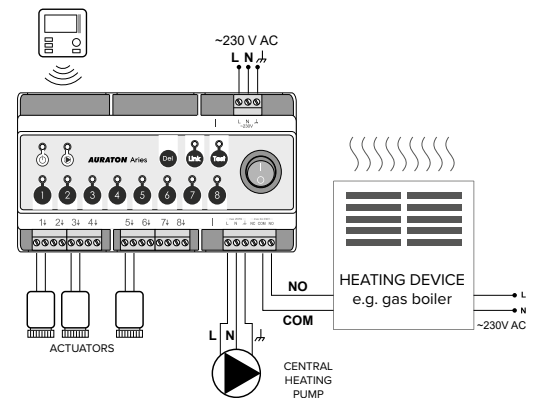
 Designed to work with AURATON Aries

 Heating or cooling operation mode

 PWM working mode

## TECHNICAL DATA

Power supply	2xAAA (2x1.5V), alkaline
Operating temperature range	0 – 45°C
Working cycle	weekly programmable
Radio frequency	868.850 MHz   869.000 MHz
Radio signal strength	up to 11 dBm
Operating range	in a typical building with a standard wall construction – approx. 30 m; in an open space – up to 300 m
Working status signalling	LCD display
Number of temperature levels	2
Anti-freeze temperature	7°C
Temperature control range	5 – 30°C
Hysteresis	±0.2°C / ±0.4°C/PWM
Ingress protection	IP 20
Humidity	≤85% non-condensing



FOR SMARTER LIVING